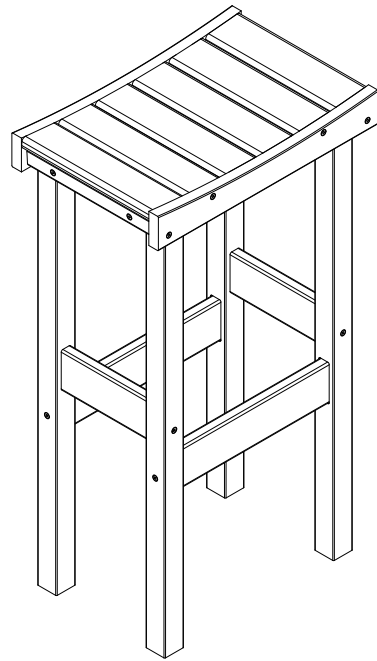
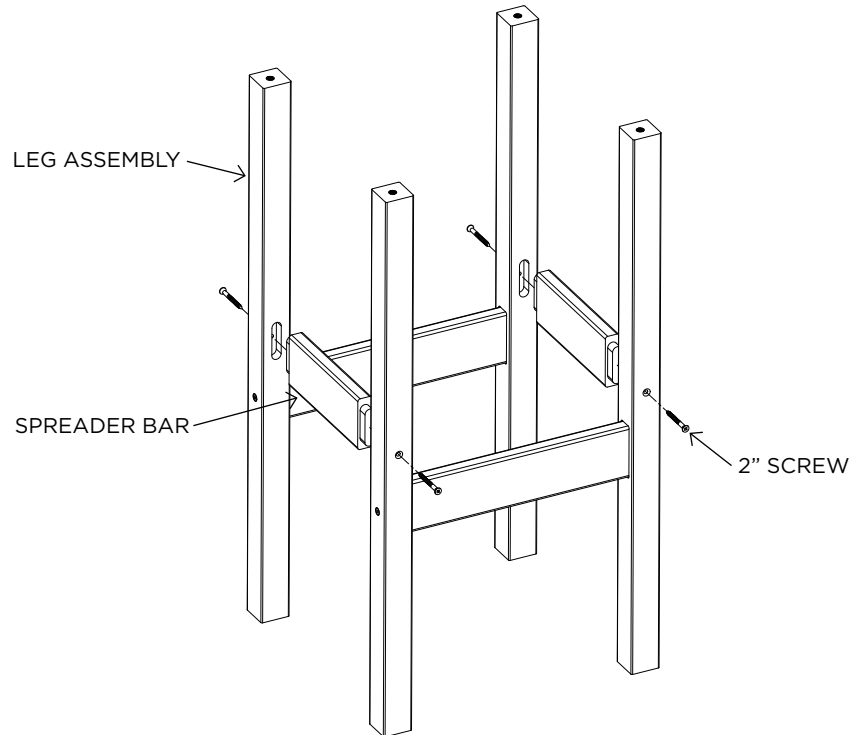


BISTRO BAR STOOL INSTRUCTIONS

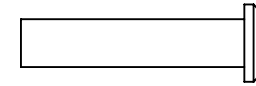


ASSEMBLY

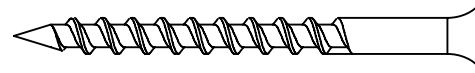
STEP 1. Use (4) 2" Screws to attach the (2) Spreader Bars to the (2) Leg Assemblies.



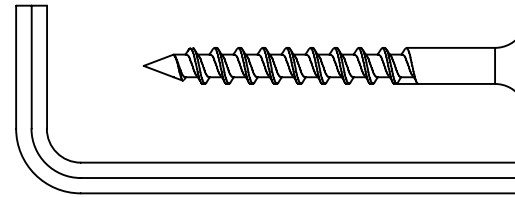
HARDWARE PACK



(4) 1" BARREL BOLTS

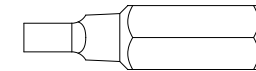


(4) 2" SCREWS



(4) 1-5/8" SCREWS

(1) ALLEN WRENCH



(1) SQUARE HEAD BIT

CHAIR PARTS

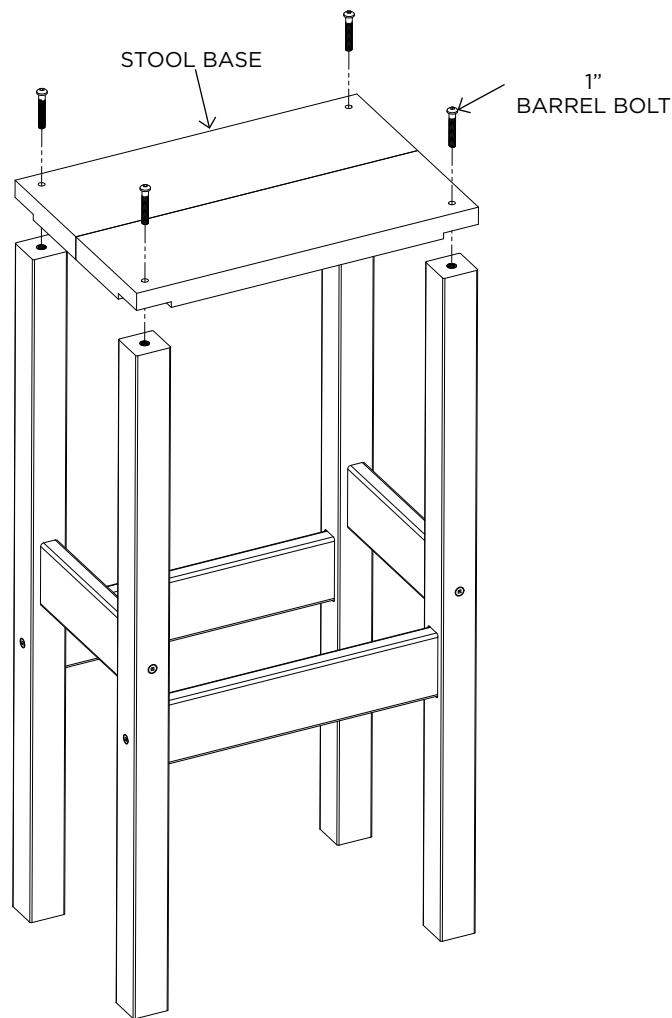
- STOOL SEAT
- STOOL BASE
- (2) LEG ASSEMBLIES
- (2) SPREADER BARS

SUGGESTED TOOLS

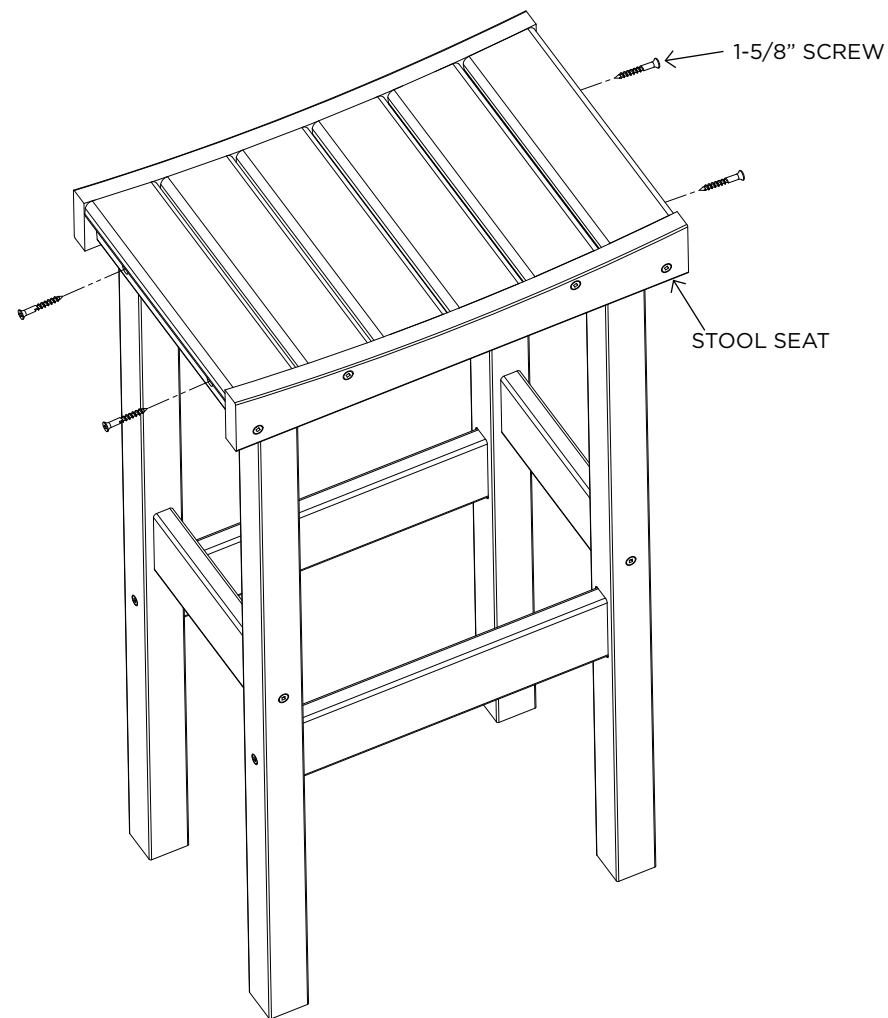
- RUBBER MALLET
- DRILL

ASSEMBLY

STEP 2. Use (4) 1" Barrel Bolts to connect the Stool Base to the Leg Assemblies. **Do not fully tighten all barrel bolts until all 4 are started.**



STEP 3. Place Stool Seat on top of the Stool Base, use (4) 1-5/8" Screws into pre-drilled holes to connect, and enjoy!



Congratulations on purchasing this Bistro Bar Stool. QUESTIONS REGARDING THIS PRODUCT? Call our customer service team, 252-758-0641.

RESIDENTIAL WARRANTY - This quality product includes a LIMITED LIFETIME WARRANTY for RESIDENTIAL CUSTOMERS. In the unlikely event any splintering, rotting, cracking, peeling, or chipping should ever occur, The Hammock Source will supply replacement parts or replace the furniture, at no charge to you. This does not include negligence, improper use, animal damage or damage caused by natural disasters. When using around fire, keep furniture at a minimum distance of 30 inches from the heat source. Prevent prolonged exposure to chlorinated water. Note that an original sales receipt must accompany any returned product, along with a Return Authorization Number from Hammock Source customer service; call toll-free at 252-758-0641.

CONTRACTOR WARRANTY - CONTRACTORS receive a LIMITED 7-YEAR WARRANTY. Follow the same steps outlined above.

MAINTENANCE - Thoroughly inspect product before each use. Periodically check bolts after assembly and re-tighten when necessary.

