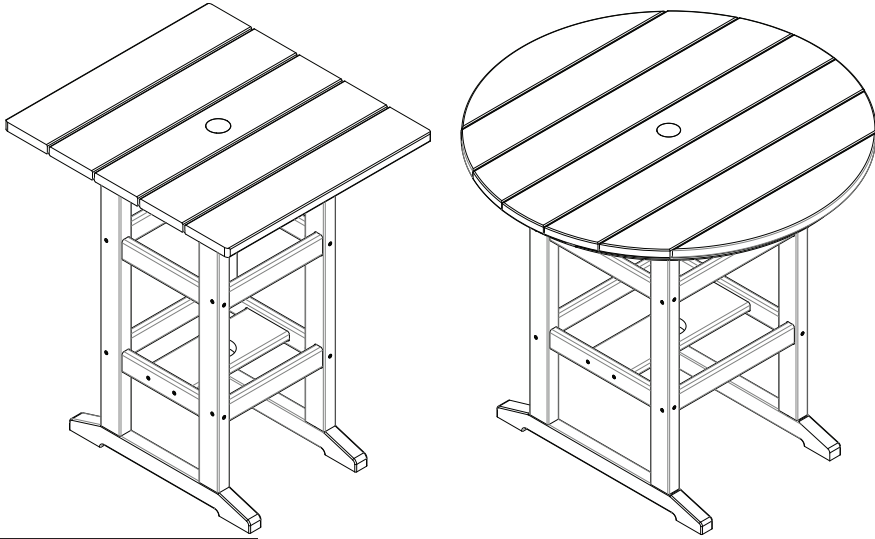
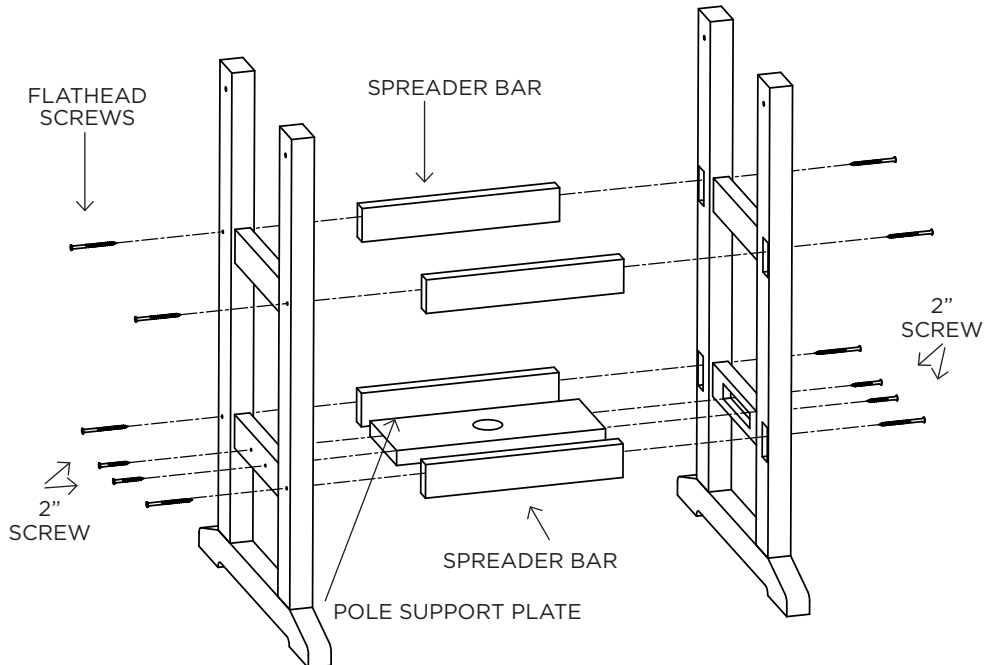


DURAWOOD SUNRISE COUNTER HEIGHT TABLE INSTRUCTIONS



ASSEMBLY



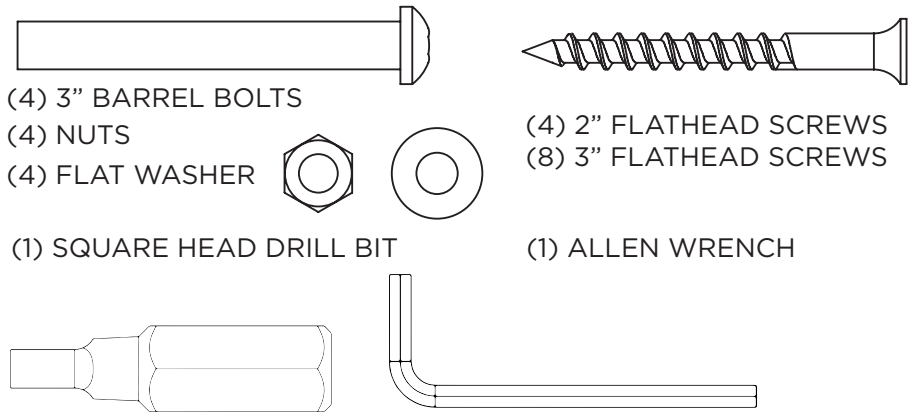
STAND PARTS

- TABLETOP
- TWO LEG ASSEMBLIES
- POLE SUPPORT PLATE
- FOUR SPREADERS

SUGGESTED TOOLS

- ADJUSTABLE WRENCH (not included)
- STANDARD SCREW DRIVER (not included)
- DRILL (not included)
- ALLEN WRENCH (included)
- SQUARE HEAD DRILL BIT (included)

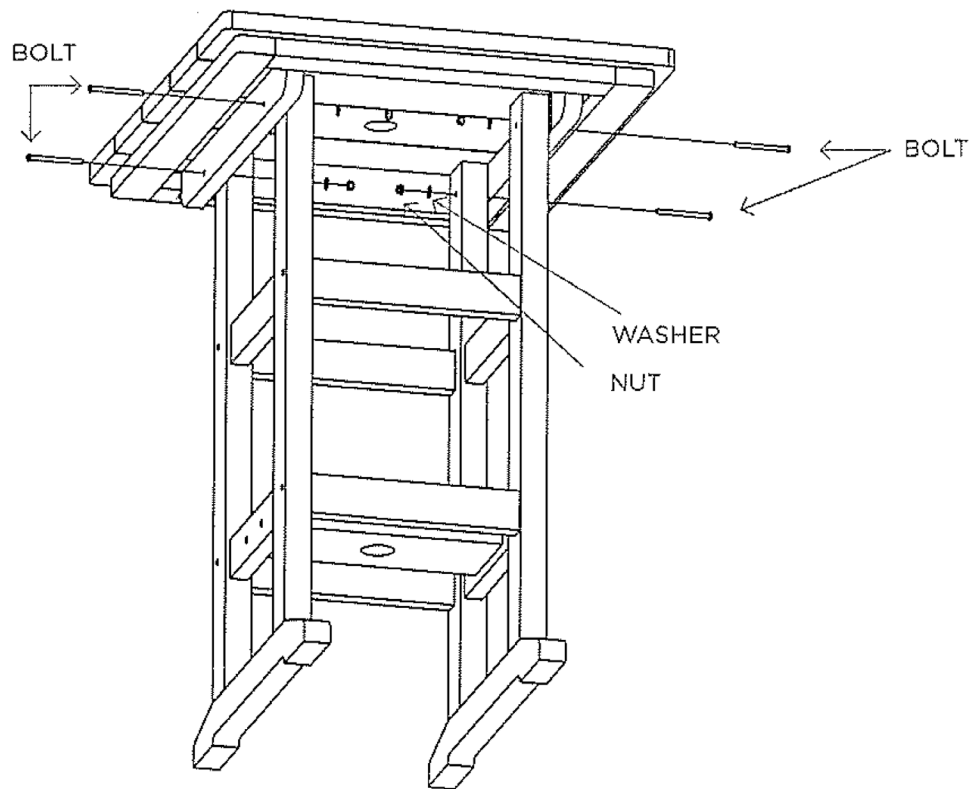
HARDWARE PACK



STEP 1. Insert Spreader Bars and pole support plate in place and use (8) 3" screws to attach to leg assemblies.

STEP 2. Align holes in Table Legs with holes in Table Top and use (4) 3" bolts, (4) washers and (4) lock nuts to attach leg structure to table top. Secure bolt by placing one washer, one lock washer and one nut - in that order. **Tighten all bolts.**

NOTE: Do not tighten anything until all bolts are installed.



Congratulations on purchasing this Durawood Counter Height/High Dining Table. QUESTIONS REGARDING THIS PRODUCT? Call our customer service team, 252-758-0641.

RESIDENTIAL WARRANTY - This quality product includes a FULL LIFETIME WARRANTY for RESIDENTIAL CUSTOMERS. In the unlikely event any splintering, rotting, cracking, peeling, chipping, insect infestation or other damage should ever occur, The Hammock Source will replace this furniture, at no charge to you. Note that an original sales receipt must accompany any returned product, along with a Return Authorization Number from Hammock Source customer service; call toll-free at 252-758-0641.

CONTRACTOR WARRANTY - CONTRACTORS receive a FULL 7-YEAR WARRANTY. Follow the same steps outlined above.

MAINTENANCE - Periodically check bolts after assembly and re-tighten when necessary.