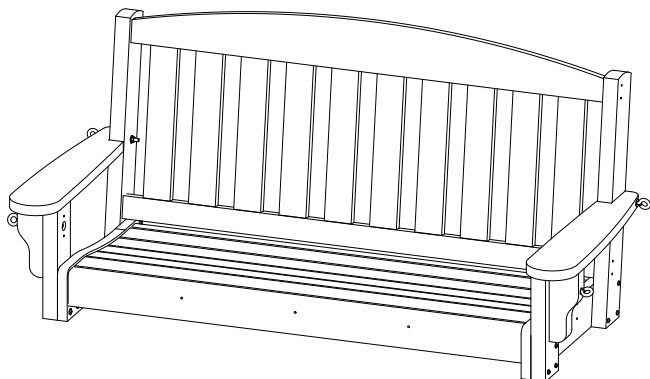


BENCH SWING INSTRUCTIONS

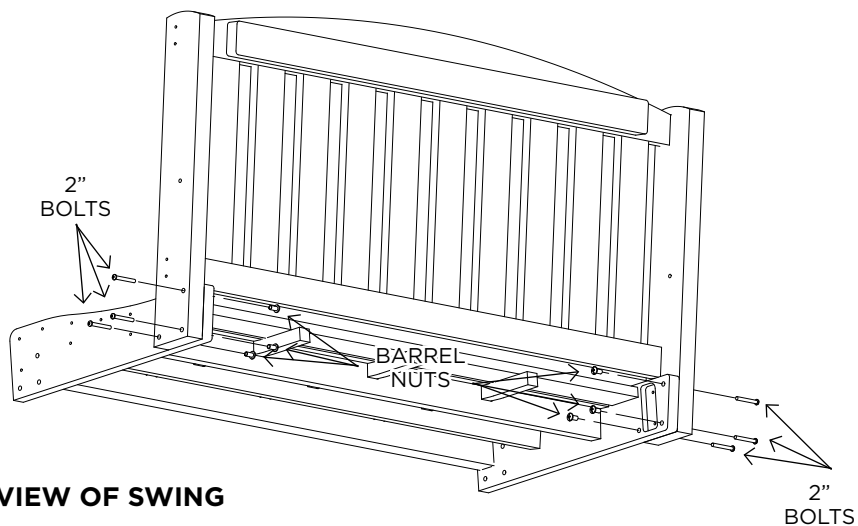


NOTE: CHAIN HIDDEN TO SHOW DETAIL OF SWING

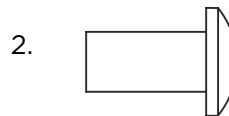
ASSEMBLY

STEP 1. Use (6) 2" bolts and (6) barrel nuts to connect the back bench assembly to the seat bench assembly.

NOTE: Rear seat support beam is hidden to show assembly.



HARDWARE PACK



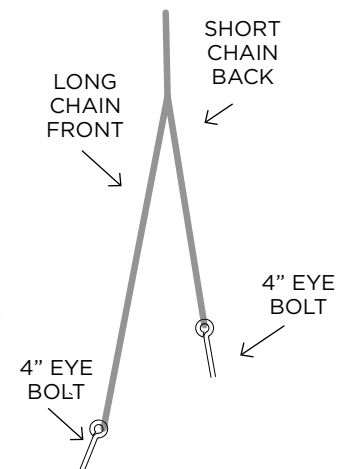
1. BARREL BOLTS: (12) 2" Bolts

2. BARREL NUTS: (12)

3. Hex Key (Not Shown)

• CHAIN ASSEMBLY & HARDWARE PACK

- CHAIN SETS: (2)
- Eye Bolts, nuts, and washers attached
- TREE HOOKS (2)



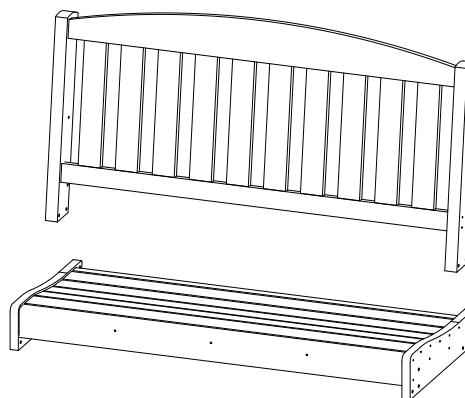
SUGGESTED TOOLS

- RUBBER MALLET
- PHILLIPS HEAD SCREWDRIVER
- DRILL
- 1/2" Wrench

CHAIR PARTS

- BACK BENCH ASSEMBLY
- SEAT BENCH ASSEMBLY
- RIGHT & LEFT ARM ASSEMBLY

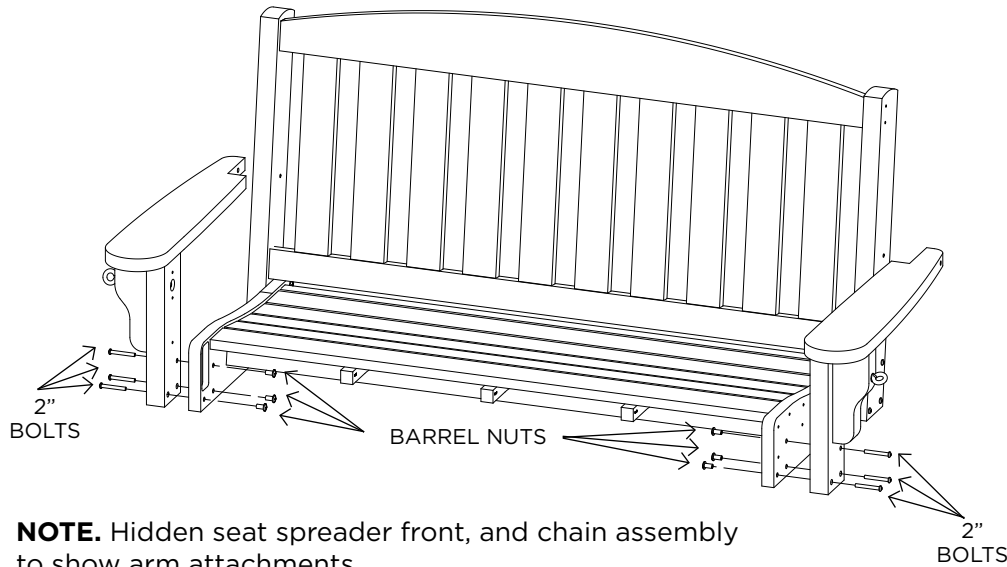
NOTE.
(NOT DISPLAYED) Chains
come attached to arms



ASSEMBLY

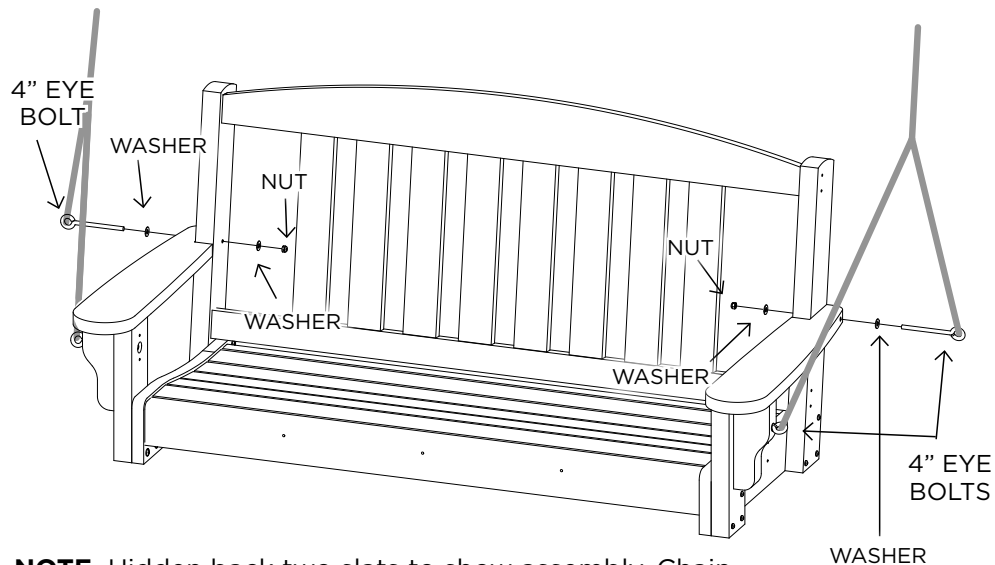
STEP 2. Use (6) 2" Bolts, and (6) Barrel Nuts to attach bottom of arms to bench.

NOTE. Chain assembly already attached to front of arms.



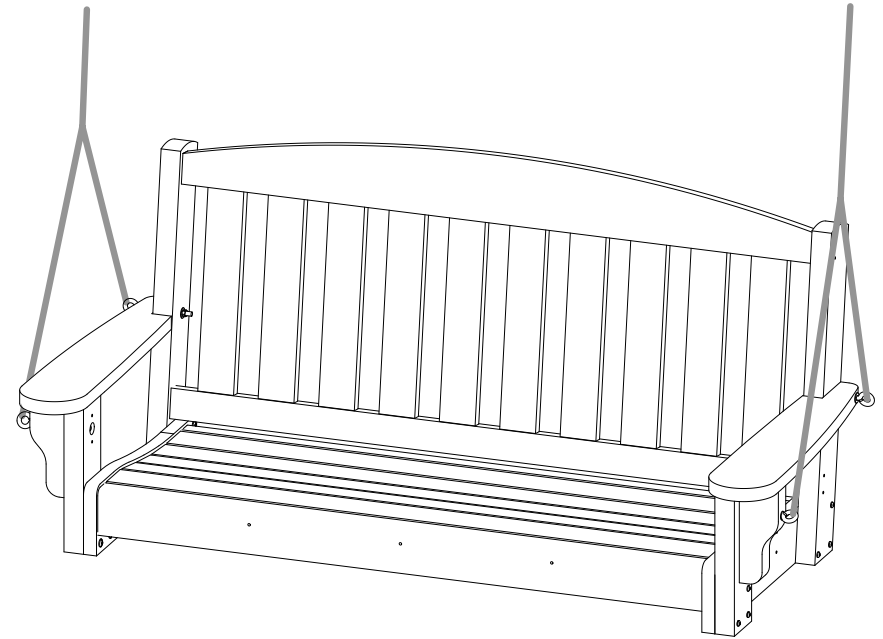
NOTE. Hidden seat spreader front, and chain assembly to show arm attachments.

STEP 3. Use (2) 4" Eye Bolts, (2) Nuts, and (4) Washers to attach chain set to back of arms and back of bench.



NOTE. Hidden back two slats to show assembly. Chain displayed upright for visibility, do not hang chain from ceiling mount until installation is complete.

STEP 4. Finished product. Hang chain from ceiling mounts.



Congratulations on purchasing this Bench Swing. QUESTIONS REGARDING THIS PRODUCT? Call our customer service team, 252-758-0641.

RESIDENTIAL WARRANTY - This quality product includes a LIMITED LIFETIME WARRANTY for RESIDENTIAL CUSTOMERS. In the unlikely event any splintering, rotting, cracking, peeling, or chipping should ever occur, The Hammock Source will supply replacement parts or replace the furniture, at no charge to you. This does not include negligence, improper use, animal damage or damage caused by natural disasters. When using around fire, keep furniture at a minimum distance of 30 inches from the heat source. Prevent prolonged exposure to chlorinated water. Note that an original sales receipt must accompany any returned product, along with a Return Authorization Number from Hammock Source customer service; call toll-free at 252-758-0641.

CONTRACTOR WARRANTY - CONTRACTORS receive a LIMITED 7-YEAR WARRANTY. Follow the same steps outlined above.

MAINTENANCE - Thoroughly inspect product before each use. Periodically check bolts after assembly and re-tighten when necessary.

