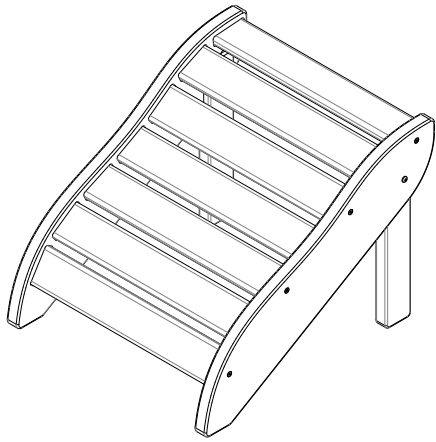
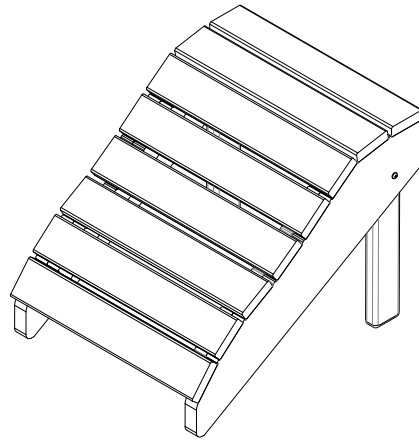


FOOT REST INSTRUCTIONS



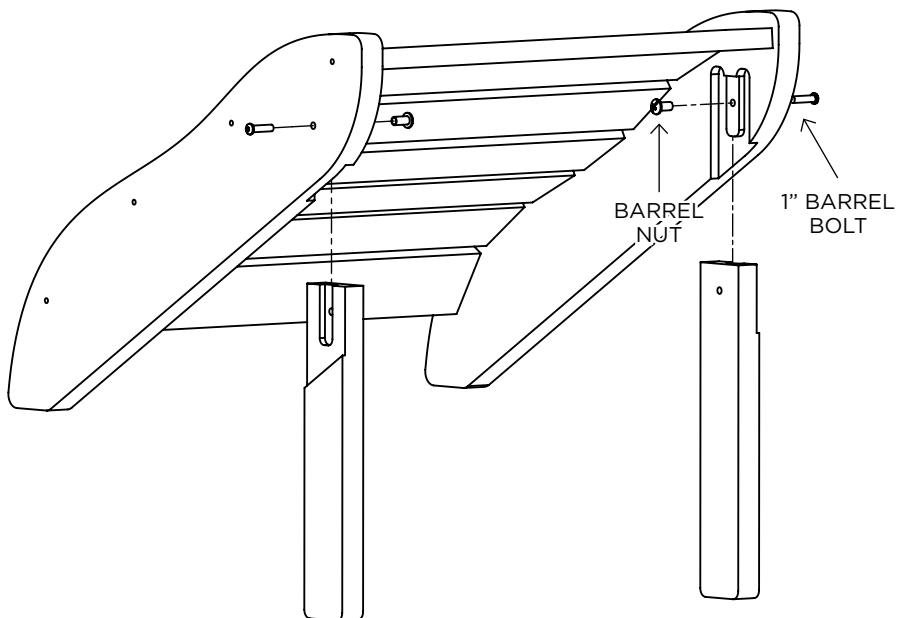
FR1xx



HHFR1xx

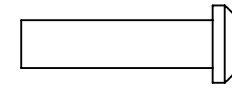
ASSEMBLY

STEP 1. Use (2) 1" barrel bolts and (2) barrel nuts to attach foot rest body to left leg and right leg. **Tighten all bolts.**

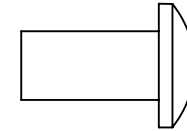


HARDWARE PACK

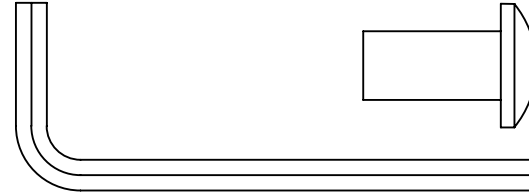
Hardware Pack Weight: 1.5 oz.



(2) 1" BARREL BOLTS



(2) BARREL NUTS



(1) ALLEN WRENCH

PARTS

- FOOT REST BODY
- LEFT LEG
- RIGHT LEG

SUGGESTED TOOLS

- RUBBER MALLET
- PHILLIPS HEAD SCREWDRIVER

Congratulations on purchasing this Durawood Foot Rest. QUESTIONS REGARDING THIS PRODUCT? Call our customer service team, 252-758-0641.

RESIDENTIAL WARRANTY - This quality product includes a LIMITED LIFETIME WARRANTY for RESIDENTIAL CUSTOMERS. In the unlikely event any splintering, rotting, cracking, peeling, or chipping should ever occur, The Hammock Source will supply replacement parts or replace the furniture, at no charge to you. This does not include negligence, improper use, animal damage or damage caused by natural disasters. When using around fire, keep furniture at a minimum distance of 30 inches from the heat source. Prevent prolonged exposure to chlorinated water. Note that an original sales receipt must accompany any returned product, along with a Return Authorization Number from Hammock Source customer service; call toll-free at 252-758-0641.

CONTRACTOR WARRANTY - CONTRACTORS receive a LIMITED 7-YEAR WARRANTY. Follow the same steps outlined above.

MAINTENANCE - Thoroughly inspect product before each use. Periodically check bolts after assembly and re-tighten when necessary.

