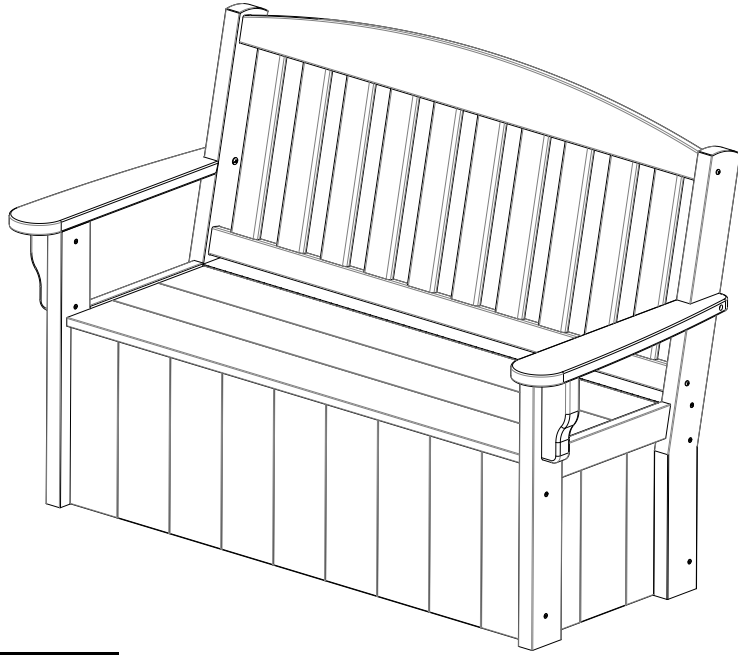
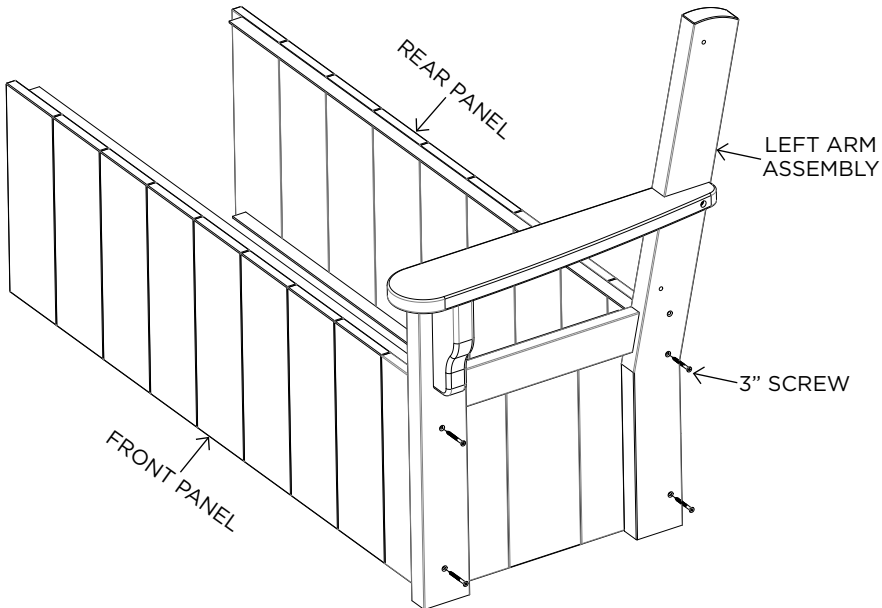


# STOWAWAY BENCH INSTRUCTIONS

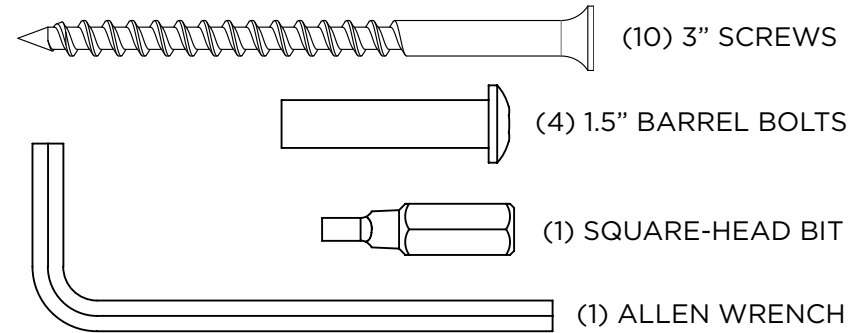


## ASSEMBLY

**STEP 1.** Slide the Front Panel into the slot on the Front Leg and the Rear Panel into the slot on the Rear Leg, then use (4) 3" Screws to fasten the panels to the Left Leg Assembly.



## HARDWARE PACK



## BENCH PARTS BOX 1

- BACK ASSEMBLY
- FRONT PANEL
- REAR PANEL
- BOTTOM PANEL
- SEAT LID
- HARDWARE PACK

## BENCH PARTS BOX 2

- LEFT LEG ASSEMBLY
- RIGHT LEG ASSEMBLY

## SUGGESTED TOOLS

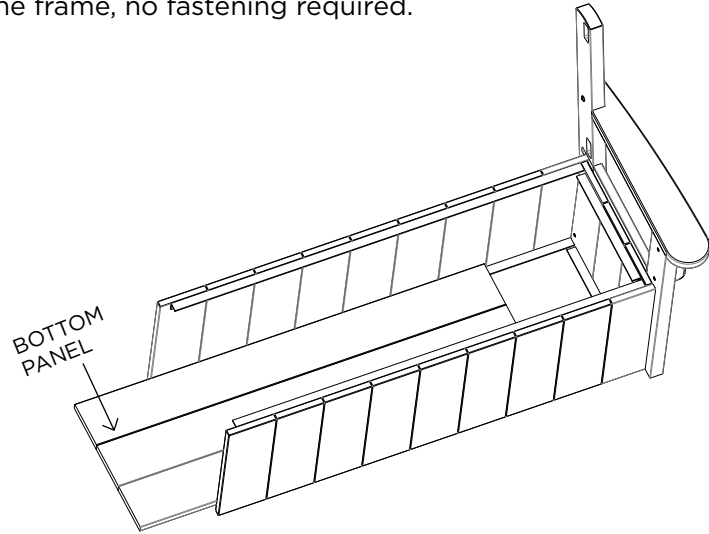
- RUBBER Mallet
- PHILLIPS HEAD SCREWDRIVER
- DRILL

**NOTE: TWO PEOPLE ARE RECOMMENDED FOR ASSEMBLY**

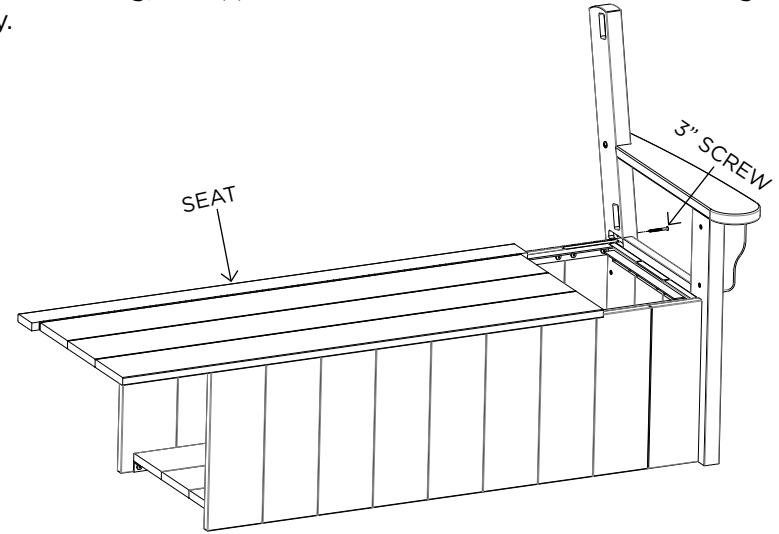
**MUST BE ASSEMBLED ON A FLAT SURFACE TO  
KEEP PANELS UPRIGHT WHEN ASSEMBLING**

## ASSEMBLY

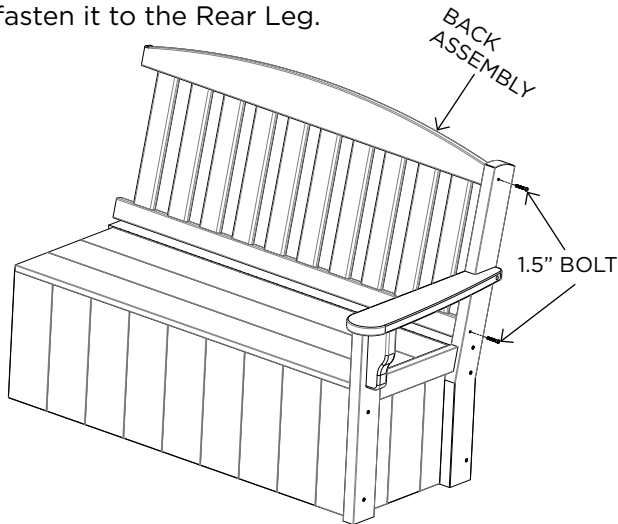
**STEP 2.** With the Front/Rear Panels fastened slide the Bottom Panel into the frame, no fastening required.



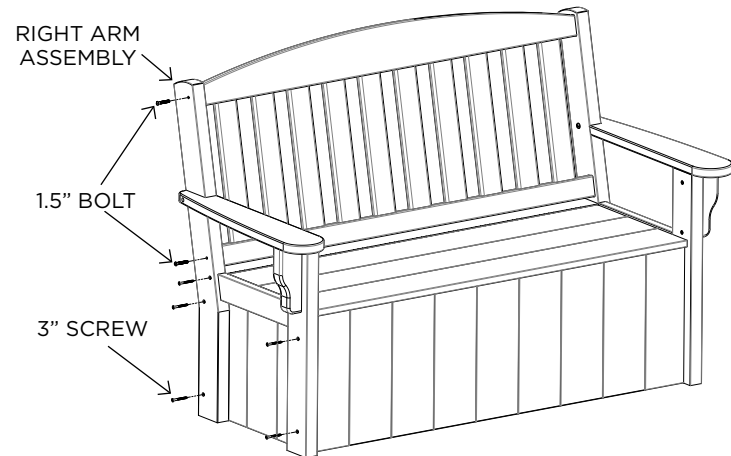
**STEP 3.** Slide the seat on top of the Front/Rear Panel and into the slot on the Rear Leg, use (1) 3" Screw to fasten the seat to the Leg Assembly.



**STEP 4.** Slot the Back Assembly into the Rear Leg and use (2) 1.5" Barrel Bolts to fasten it to the Rear Leg.



**STEP 5.** Use the Right Leg Assembly to cap off the other end. Make sure all parts are slotted correctly then use (2) 1.5" Barrel Bolts for the Back Assembly and (5) 3" Screws for the seat and panels.



**Congratulations on purchasing this Durawood Stowaway Bench. QUESTIONS REGARDING THIS PRODUCT? Call our customer service team, 252-758-0641.**

**RESIDENTIAL WARRANTY** - This quality product includes a LIMITED LIFETIME WARRANTY for RESIDENTIAL CUSTOMERS. In the unlikely event any splintering, rotting, cracking, peeling, or chipping should ever occur, The Hammock Source will supply replacement parts or replace the furniture, at no charge to you. This does not include negligence, improper use, animal damage or damage caused by natural disasters. When using around fire, keep furniture at a minimum distance of 30 inches from the heat source. Prevent prolonged exposure to chlorinated water. Note that an original sales receipt must accompany any returned product, along with a Return Authorization Number from Hammock Source customer service; call toll-free at 252-758-0641.

**CONTRACTOR WARRANTY** - CONTRACTORS receive a LIMITED 7-YEAR WARRANTY. Follow the same steps outlined above.

**MAINTENANCE** - Thoroughly inspect product before each use. Periodically check bolts after assembly and re-tighten when necessary.

