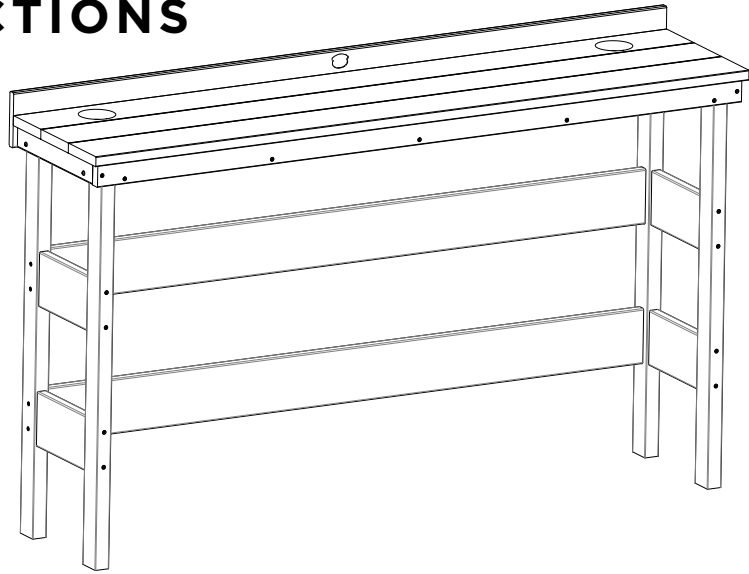


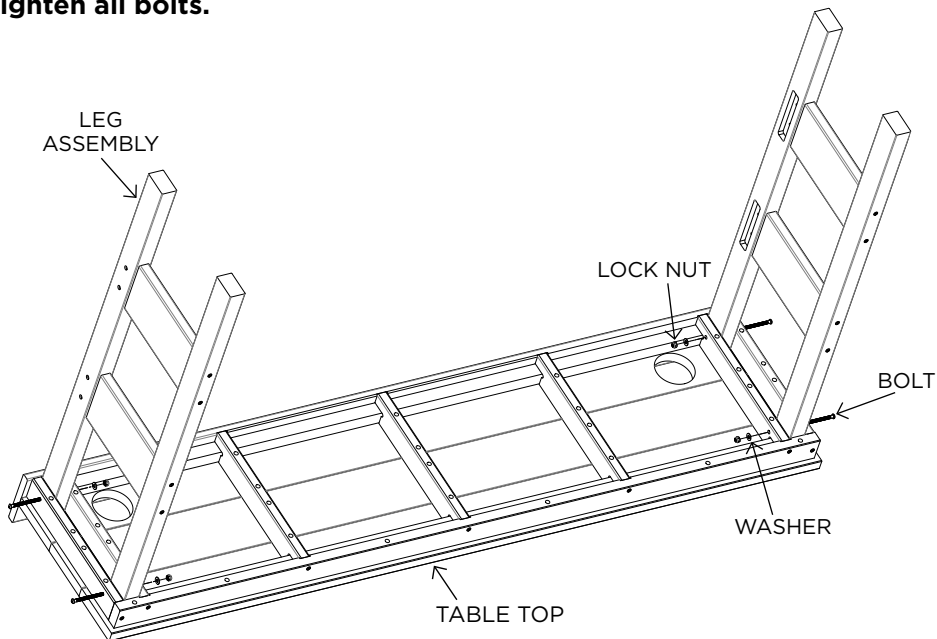
# 72" VIEW FINDER TABLE INSTRUCTIONS



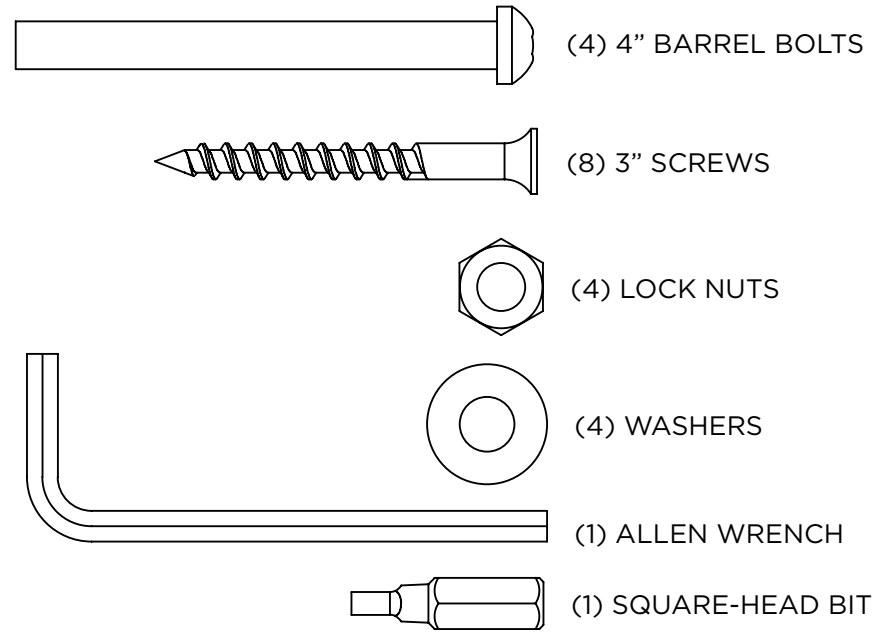
## ASSEMBLY

**STEP 1.** Flip table top over as shown, align holes in Table Legs with holes in Table Top and use (4) 4" bolts, (4) washers and (4) lock nuts to attach leg assembly to table top. Secure bolt by placing one washer and one nut in that order.

**Tighten all bolts.**



## HARDWARE PACK



## TABLE PARTS

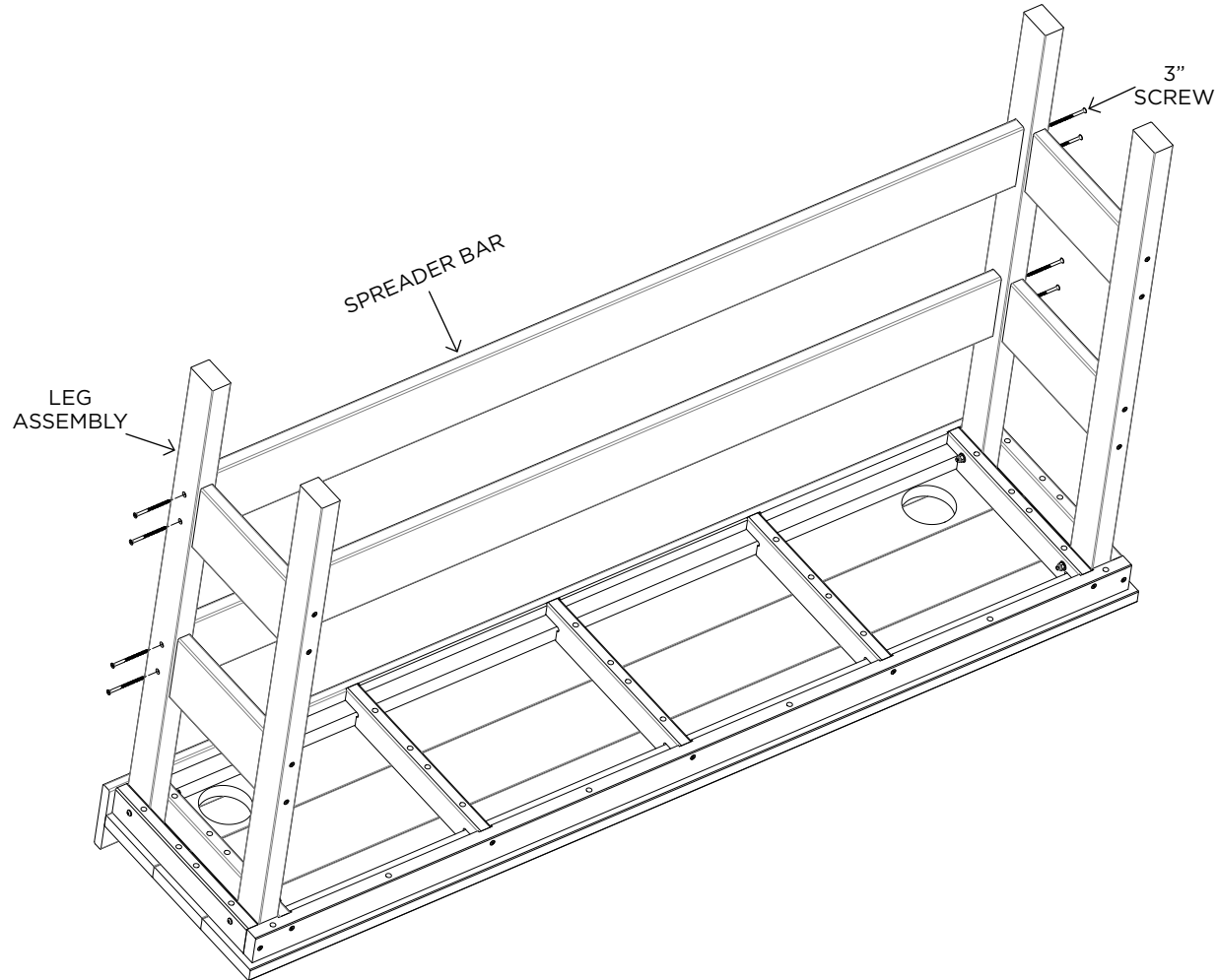
- (1) TABLE TOP
- (2) LEG ASSEMBLIES
- (2) SPREADER BARS

## SUGGESTED TOOLS

- ADJUSTABLE WRENCH
- DRILL

## ASSEMBLY

**STEP 2.** Use (8) 3" screws to attach spreaders to leg assemblies.  
**Check all bolts are tight then flip the table up right and enjoy!**  
**Note: It is recommended to have two people to flip the table.**



**Congratulations on purchasing this Durawood 72" View Finder Table. QUESTIONS REGARDING THIS PRODUCT? Call our customer service team, 252-758-0641.**

**RESIDENTIAL WARRANTY** - This quality product includes a LIMITED LIFETIME WARRANTY for RESIDENTIAL CUSTOMERS. In the unlikely event any splintering, rotting, cracking, peeling, or chipping should ever occur, The Hammock Source will supply replacement parts or replace the furniture, at no charge to you. This does not include negligence, improper use, animal damage or damage caused by natural disasters. When using around fire, keep furniture at a minimum distance of 30 inches from the heat source. Prevent prolonged exposure to chlorinated water. Note that an original sales receipt must accompany any returned product, along with a Return Authorization Number from Hammock Source customer service; call toll-free at 252-758-0641.

**CONTRACTOR WARRANTY** - CONTRACTORS receive a LIMITED 7-YEAR WARRANTY. Follow the same steps outlined above.

**MAINTENANCE** - Thoroughly inspect product before each use. Periodically check bolts after assembly and re-tighten when necessary.

