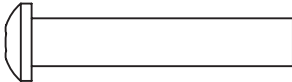
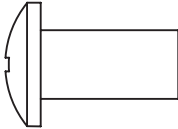


# COASTAL COLLECTION CHAIR & ROCKER ROPE OR CUSHIONED INSTRUCTIONS

**NOTE.** Instructions not to scale.  
Example does not show rope or cushion

## HARDWARE PACK

### Chair Hardware Pack:

1.  1. BARREL BOLTS:  
(12) 1.5", (2) 2.5"
2.  2. BARREL NUTS: (14)
3. Hex Key (Not Shown)

### Additional Rocker Hardware Pack:

1. BARREL BOLTS:  
(4) 1.5"
2. BARREL NUTS: (4)

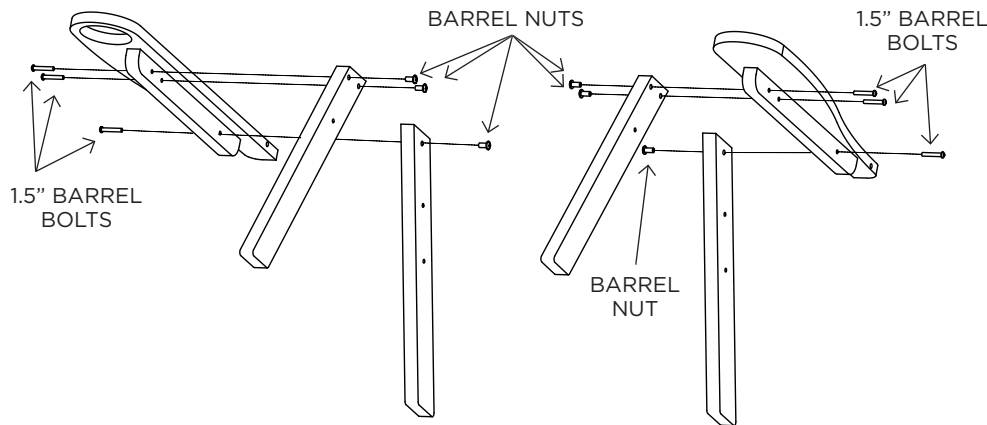
## SUGGESTED TOOLS

- RUBBER MALLET
- PHILLIPS HEAD SCREWDRIVER

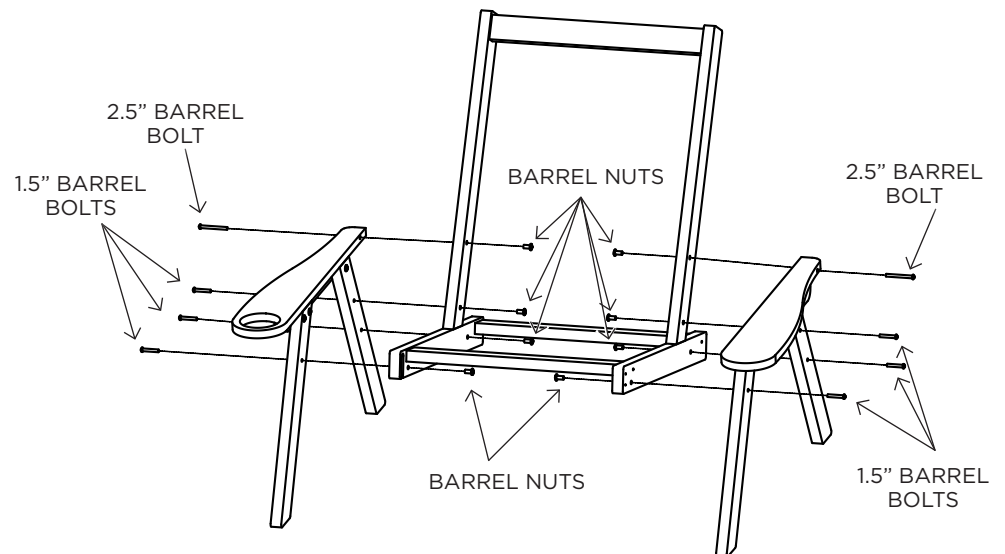
## ASSEMBLY

**STEP 1.** Use (6) 1.5" barrel bolts and (6) barrel nuts to attach arm assemblies to rear and front arm support.

**NOTE.** do **not** tighten bolts until Step 5.

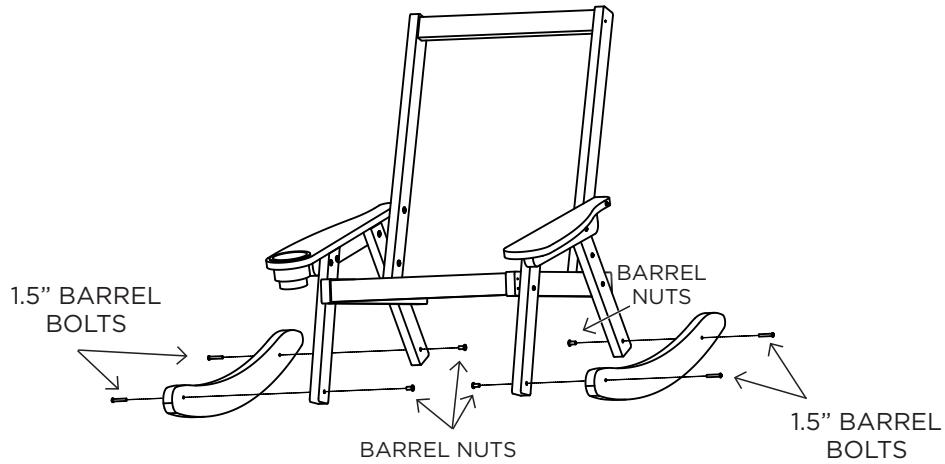


**STEP 2.** Use (2) 2.5" barrel bolts, (6) 1.5" barrel bolts, and (8) barrel nuts to attach arm assemblies & supports to inside of chair frame.



## ROCKER ASSEMBLY

**STEP 2.** Use (4) 1.5" barrel bolts and (4) barrel nuts to attach rockers to legs.



**Congratulations on purchasing this Coastal Collection Chair & Rocker with Rope or Cushion.**  
**QUESTIONS REGARDING THIS PRODUCT? Call our customer service team,**  
**1-800-344-6433.**

**WARRANTY & RETURNS** - Pawleys Island Hammocks products are guaranteed to be free of defects in both workmanship and material. Prolonged exposure to weather conditions including snow, rain, and humidity are not covered under the warranty, nor is damaged caused by normal wear, mildew, or improper care, including storage, maintenance, and assembly. If you are not satisfied with an item, return it unused in its original packaging for a complete refund or exchange. You can return it to any of our stores or to our warehouse, Nags Head hammocks, 305 Industrial Blvd., Greenville, NC 27834. Please include a copy of your receipt and your contact information.