

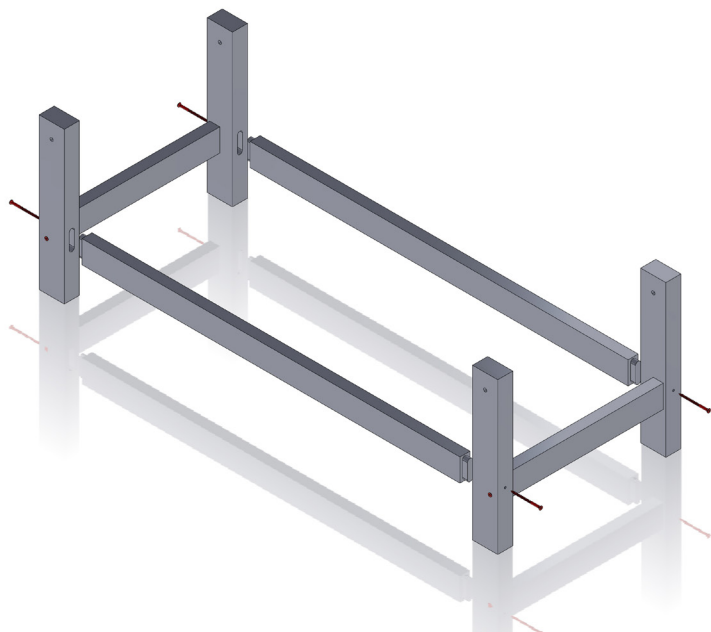


## DEEP SEATING COFFEE TABLE INSTRUCTIONS



### ASSEMBLY

STEP 1. Using (4) 3" Screws (shown as red) attach the Spreader Bars to the Leg Assemblies.



### COMPONENTS

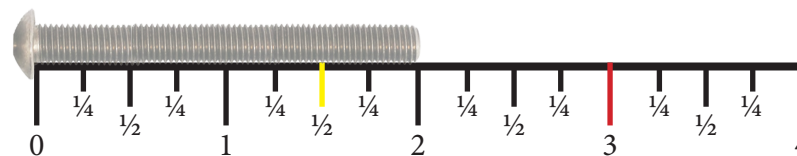
- Table Top
- (2) Leg Assemblies
- (2) Spreader Bars
- Hardware Pack

### HARDWARE PACK

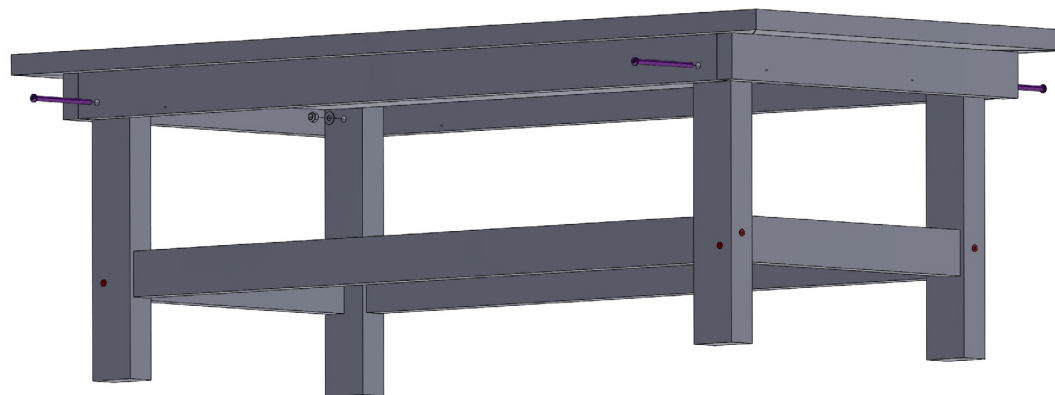
- (4) 4" Bolts
- (4) 3" Screws
- (4) Locknuts
- (4) Washers
- (1) Allen Wrench
- (1) Square Head Bit

### SUGGESTED TOOLS

- Drill
- 7/16 Wrench



STEP 2. Use (4) 4" Bolts (shown as purple), (4) Washers, and (4) Locknuts to attach Table Top to Legs.



Congratulations on purchasing this Pawley's Island Deep Seating Furniture. QUESTIONS REGARDING THIS PRODUCT? Call our customer service team, 800.643.3522.

RESIDENTIAL WARRANTY - This quality product includes a FULL LIFETIME WARRANTY for RESIDENTIAL CUSTOMERS. In the unlikely event any splintering, rotting, cracking, peeling, chipping, insect infestation or other damage should ever occur, The Hammock Source will replace this furniture, at no charge to you. Note that an original sales receipt must accompany any returned product, along with a Return Authorization Number from Hammock Source customer service; call toll-free at 800.643.3522.

CONTRACTOR WARRANTY - CONTRACTORS receive a FULL 7-YEAR WARRANTY. Follow the same steps outlined above.